



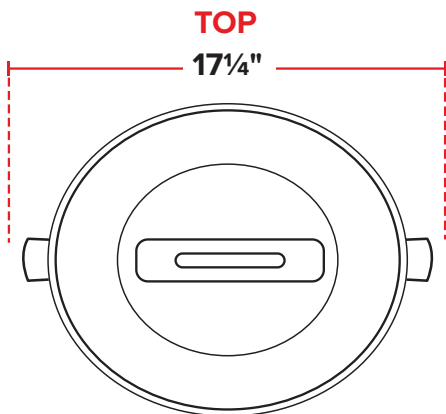
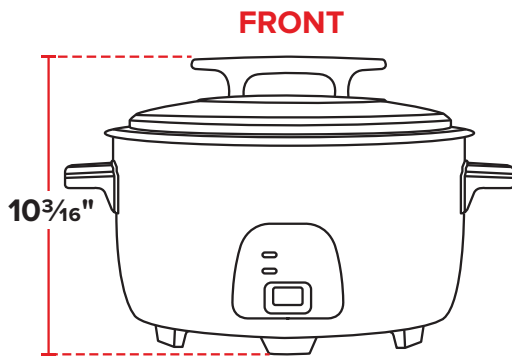
Electric 60 Cup (30 Cup Raw) Rice Cooker/ Warmer

ITEM NUMBER

#177RC3060

SPECIAL FEATURES

- Removable, non-stick aluminum inner pot for easy cleaning
- Cooks rice in 30 minutes
- Automatic overheat protection
- Includes measuring cup and rice paddle
- 120V, 1750W



TECHNICAL DATA

Dimensions	10 ³ / ₁₆ "H x 17 ¹ / ₄ "Diameter
Dry Rice Capacity	30 Cups
Cooked Rice Capacity	60 Cups
Gas Type/Power Type	Electric
Wattage	1750W
Voltage	120V



5-15P