

PROJECT: _____

MODEL: _____

ITEM #: _____ QUANTITY: _____

APPROVAL: _____ DATE: _____

Item #177P68

4/2021

Single Panini Grill

with Grooved Plates

120V • 1750W

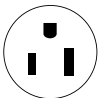
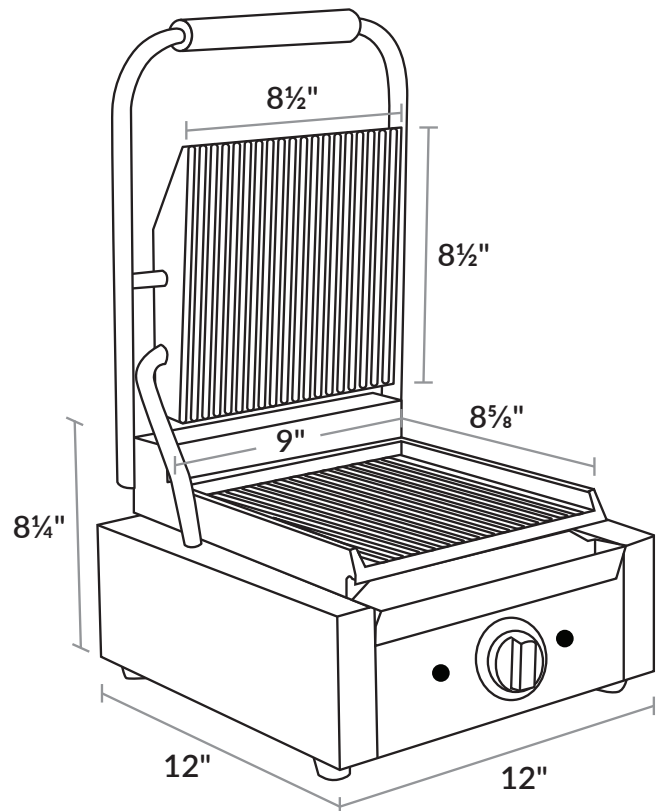
Features:

- Grooved plates provide tantalizing grill marks on panini or sandwiches
- Specialized hinge allows top plate to lay flat against the product for uniform cooking
- Thermostatic controls adjust between 120 and 570°F to keep up with high demand
- Stainless steel construction and cast iron plates provide durability to withstand fast-paced kitchen environments
- Great for making panini, sandwiches, quesadillas, burgers, and more
- Compact footprint easily fits on countertops in sandwich shops, food trucks, or concession stands



Specifications

Overall Dimensions	12"W x 12"D x 8¼"H
Upper Plate Dimensions	8½"W x 8½"D
Lower Plate Dimensions	9"W x 8⅝"D
Voltage	120V
Wattage	1750W
Phase	1
Hertz	60
Temperature Range	120-570°F
Temperature Control	Manual
Plate Configuration	Grooved Top & Bottom
Plate Material	Cast Iron
Power Type	Electric
Unit Weight	28 Lb.
Shipping Weight	32 Lb.



NEMA
5-15P